

Monitor mount for 2016 E-series and E2417H Dell monitors

Installation guide



Notes, cautions, and warnings

 **NOTE:** A NOTE indicates important information that helps you make better use of your product.

 **CAUTION:** A CAUTION indicates either potential damage to hardware or loss of data and tells you how to avoid the problem.

 **WARNING:** A WARNING indicates a potential for property damage, personal injury, or death.

Copyright © 2017 Dell Inc. or its subsidiaries. All rights reserved. Dell, EMC, Dell EMC and other trademarks are trademarks of Dell Inc. or its subsidiaries. Other trademarks may be trademarks of their respective owners.

Contents

1 Dell Wyse clients and Dell monitors using this mounting bracket.....	4
2 Included in the kit.....	5
3 Mounting the client.....	6



Dell Wyse clients and Dell monitors using this mounting bracket

The monitor mount for 2016 E-series and E2417H monitors is designed to work with the following clients and monitors:

Supported clients:

- Dell Wyse 3010 (Tx0) thin client
- Dell Wyse 3020 (Tx0D) thin client
- Dell Wyse 3030 (N03D) thin client
- Dell Wyse 3030LT (N06D) thin client
- Dell Wyse 5010 (Dx0D) thin client
- Dell Wyse 5020 (DxoQ) thin client
- Dell Wyse 5030 (PxN) PColP zero client
- Dell Wyse 5060 (N07D) thin client

Supported monitors:

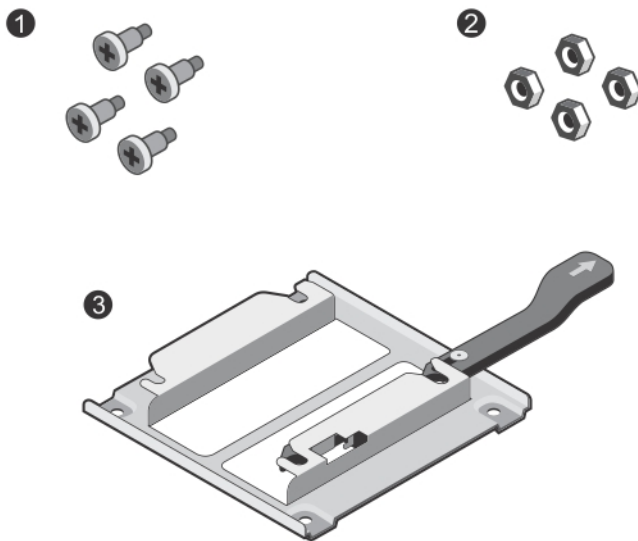
- E1916H
- E1916HV
- E2016
- E2016H
- E2016HV
- E2216H
- E2216HV
- E2316H
- E2416H
- E2417H

NOTE: This mount is only designed to work with the Dell monitors and clients listed here. This should not be used with other monitors or client products.

Included in the kit

Parts provided in the kit include:

- 1 Four shoulder screws (M4x0.7-6)
- 2 Four hex nuts (M4x0.7)
- 3 One monitor mount for E-series/E2417H monitors



NOTE:

Dell Wyse 3010 requires Horizontal Stand 452-BCMF with the E-series mounting bracket for monitor mounting.

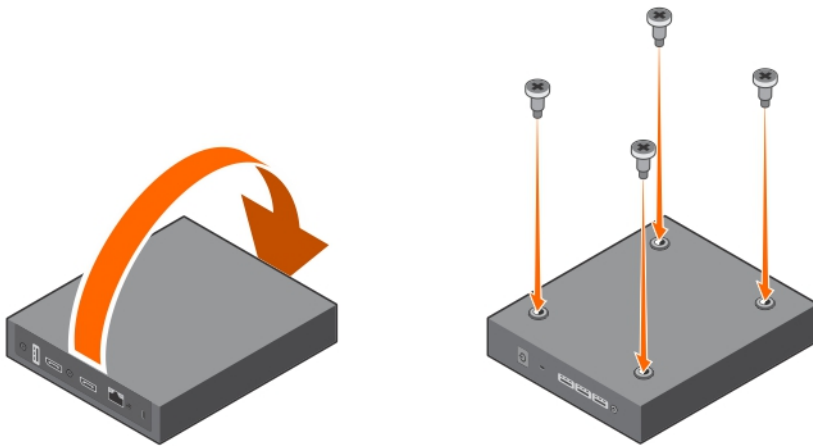
Dell Wyse 3020 and 5030 require Horizontal Stand 452-BCMh with E-series mounting bracket for monitor mounting.

Dell Wyse 3030 and 3030LT require Horizontal Stand 452-BCMG with E-series mounting bracket for monitor mounting.

Mounting the client

Use the following instructions for mounting the client to the E bracket:

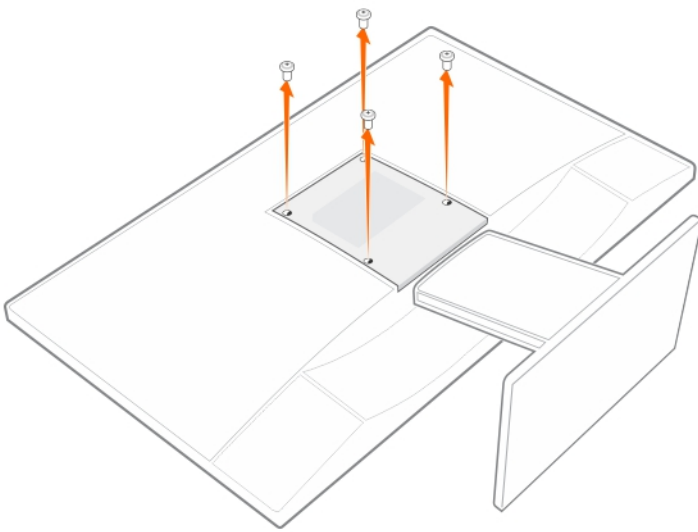
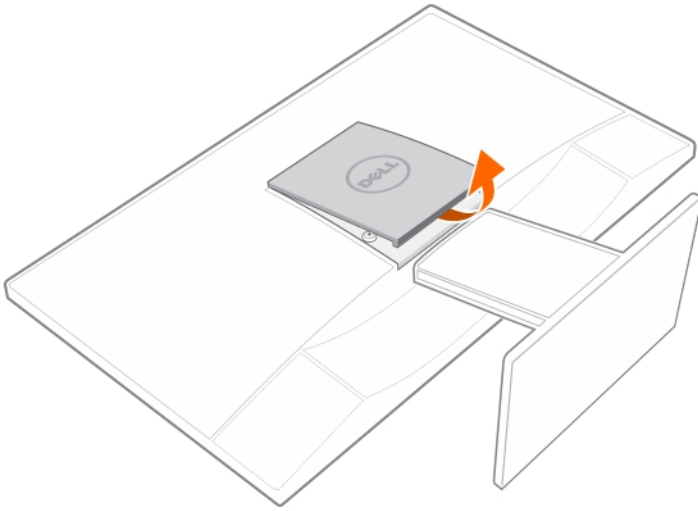
- 1 **Preparing the Client** —Use a Phillips-head screwdriver to remove the four (4) filler screws from the side of the client and replace them with the provided four (4) shoulder screws. Discard the filler screws.



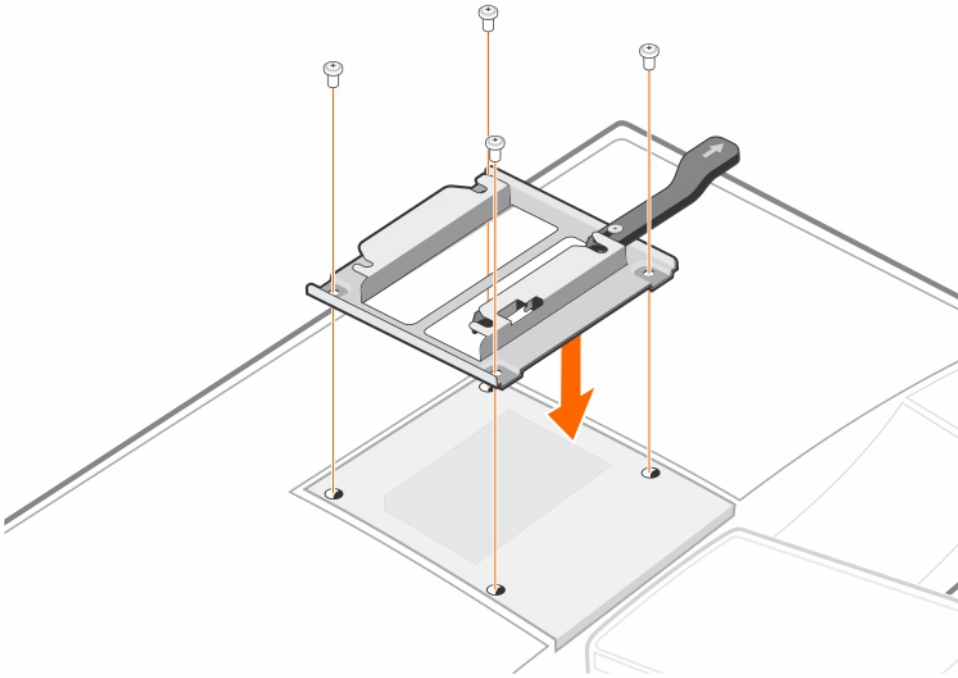
- 2 **Attaching E series mount to the monitor**

- Place the monitor panel face down on a soft cloth or cushion.
- Remove cover plate if present.
- Remove the four (4) monitor screws from the back of the monitor and set them aside.

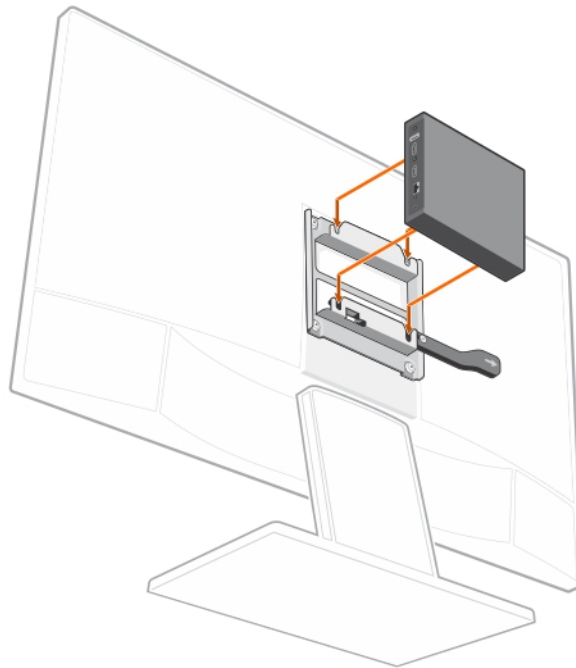
NOTE: For ease of installation, position the monitor with the base of the stand hanging over the edge of the table.



Position the E mount on the back of the monitor and attach it by re-install the monitor screws at 4 locations (do not over-tighten).



- 3 **Attaching the Client** —Slightly tip the client to align and insert the four protruding shoulder screws into the four cutout areas of the E series mount. Slide the client until it clicks and secured by latch. The security latch will move automatically when the shoulder



screws are inserted.

CAUTION: The power button should face towards the security latch and air vents should face outwards for proper heat dissipation.

- 4 **Connecting cables** —Make all desired connections, and then connect the power adapter's AC power cord to an electrical outlet.

NOTE:

To remove the client, gently pull the security latch to the right to release shoulder screws and slide the client from mount.